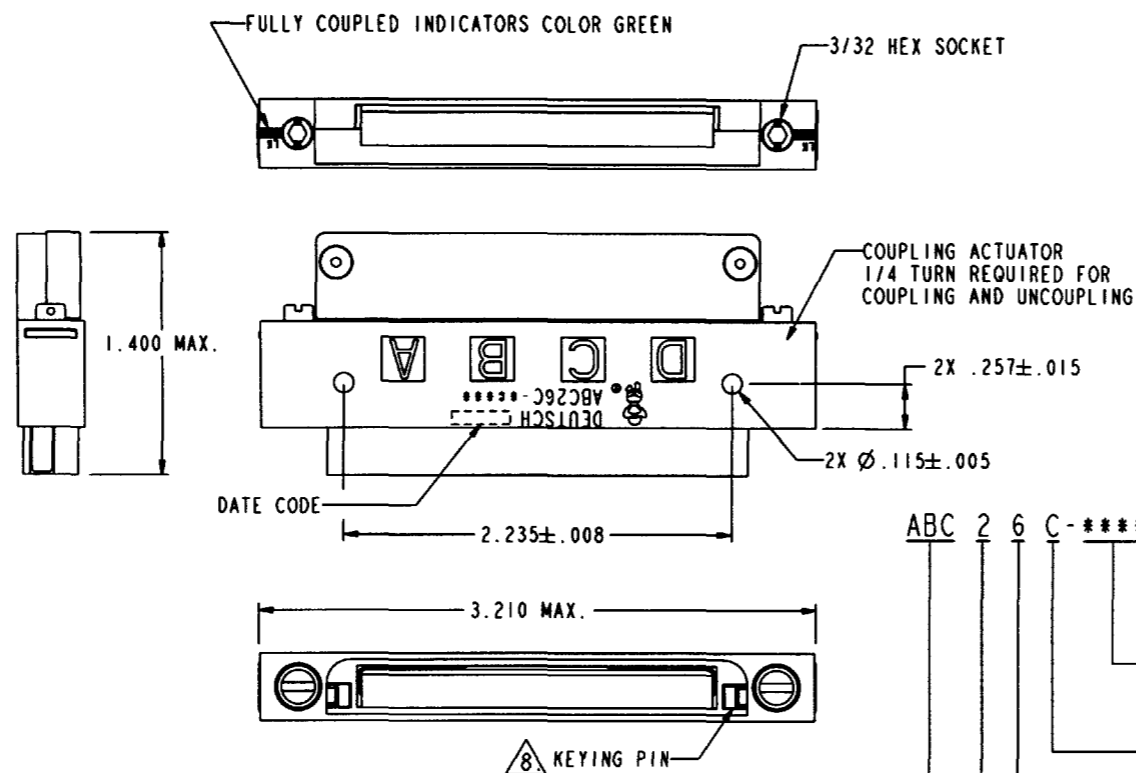


PROPERTY OF DEUTSCH E.C.D.

This drawing contains proprietary information that shall not be disclosed, duplicated, nor used in whole or in part for any purpose other than to evaluate this drawing.

B ABC26C-*****

REVISIONS			
REV	DESCRIPTION	DATE	APPROVED
B	REVISED & REDRAWN PER E.O. C5537	3/14/03	AR



ABC 2 6 C-**** *-****

- MODIFICATION
- KEYING POSITIONS: A THRU Y Δ SEE ENV. DWG 55500
- MODULE ARRANGEMENTS SEE ENVELOPE DWG. 55500
0000 = 2 INCH SHELL W/ NO MODULES
- STYLE C = DYNAMIC QUARTER LOCK
- TYPES
6 = PLUG
- SHELL SIZES
2 = 2 INCH
- BASIC IDENTIFIER

Δ WHEN NO LETTER IS CALLED OUT, KEYING PINS ARE SHIPPED LOOSE AND INSTALLED BY CUSTOMER (EXAMPLE P/N: ABC26C-0000). IF LETTER A-Y IS CALLED OUT FACTORY INSTALLS THE KEYING PINS (EXAMPLE P/N: ABC26-0000A).

- FOR INSERT ARRANGEMENTS AND KEYING POSITIONS SEE ENVELOPE DRAWING 55500.
- SEE DEUTSCH ENVELOPE DRAWINGS FOR CRIMP TOOL AND POSITIONER. FOR SOCKET CONTACTS SEE 12336-**. FOR PIN CONTACTS SEE 12331-**.
- MATES WITH ABC RECEPTACLE CONNECTOR
- FINISH: SHELL - DEUTSCH SPECIAL METALIZED SURFACE. CONTACTS - GOLD OVER NICKEL
- MATERIAL: SHELL - COMPOSITE MATERIAL
METAL COMPONENTS - STAINLESS STEEL
- FOR AVAILABILITY CONSULT FACTORY.
- DIMENSIONS ARE IN INCHES UNLESS OTHERWISE SPECIFIED.

SIGNATURE & DATE		PLUG 2 INCH DOL DYNAMIC QUARTER LOCK COUPLING ABC CONNECTOR ENVELOPE	CP	MATL CODE
DR	J. FRIEDHOF 1-27-03		DEUTSCH ENGINEERED CONNECTING DEVICES	
CHK	AR 3/14/03		5733 W. Whittier Ave. Hemet, California	
PE	J. FRIEDHOF 1-27-03		A	ABC26C-*****
APPD	J. FRIEDHOF 1-27-03		CODE 11139	SHEET OF
SCALE	1/100	BY NONE		